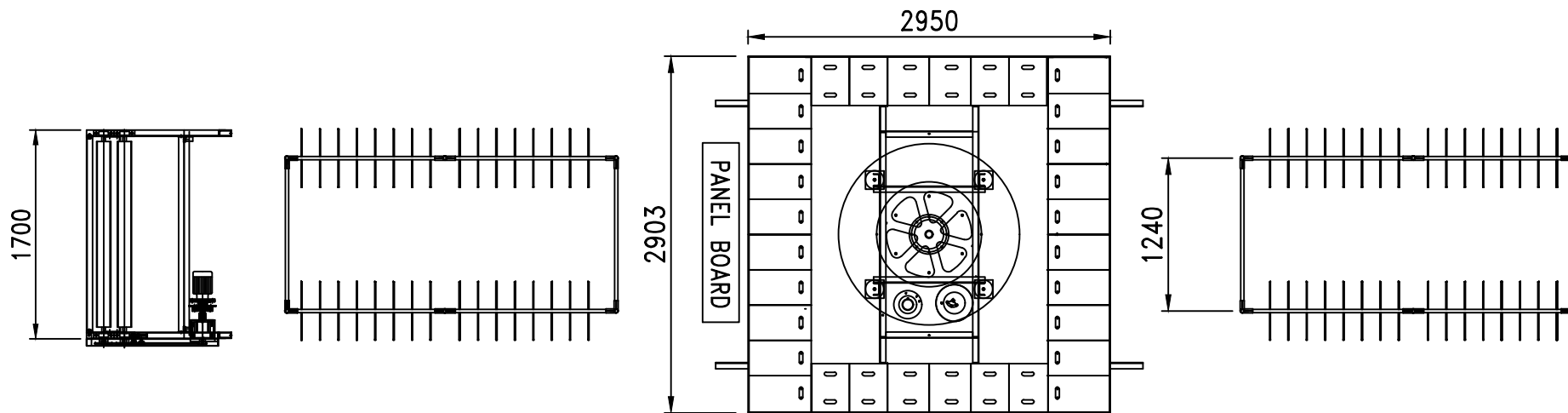
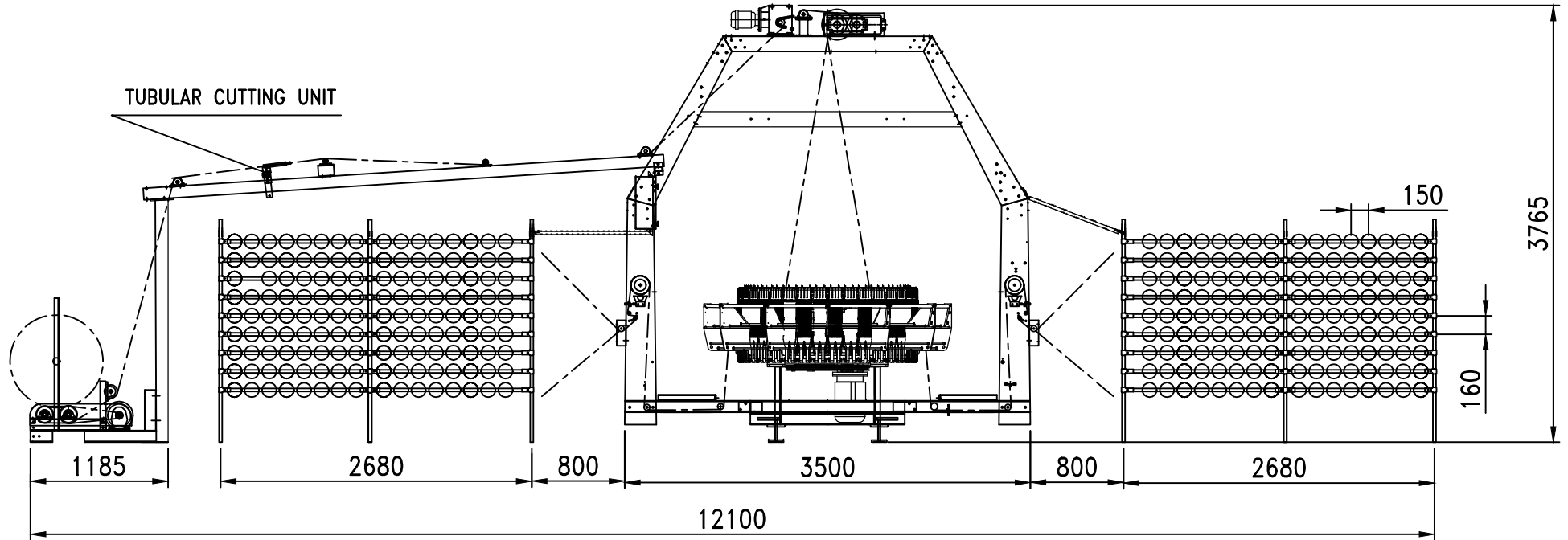


MACHINE LAYOUT CIRCULAR LOOM Y-62 (SINGLE WINDER)



APPROVALS	DATE/SIGN	DATE	Surface Finish	Ra Value μm			
Drawn by			$\nabla\nabla\nabla$	0.02 / 0.05 / 0.1			
Checked by			$\nabla\nabla$	0.2 / 0.4 / 0.8			
Engg Appro			∇	1.6 / 3.2 / 6.3			
Mfg Appro			∇	12.5 / 25			
QA Appro			\sim	50 / 100			
Size	Weight	Hardness	Qty	Material	Part Name MACHINE LAYOUT CIRCULAR LOOM Y-62 (1152 CRELS) Machine No YES-Y62-000 Revision RD		
				Projection	Sheet Size	Scale	Sheet
						NTS	

General Tolerances Where Not Specified				General Tolerances Where Not Specified					
Angular—Length in mm of shorter side Angle				Linear—Lengths or Diameter					
Up to 6	6-30	30-120	120-400	15-6	6-30	30-120	120-315	315-1000	1000-2000
				mm					