



YOUR EQUIPMENT SOLUTIONS



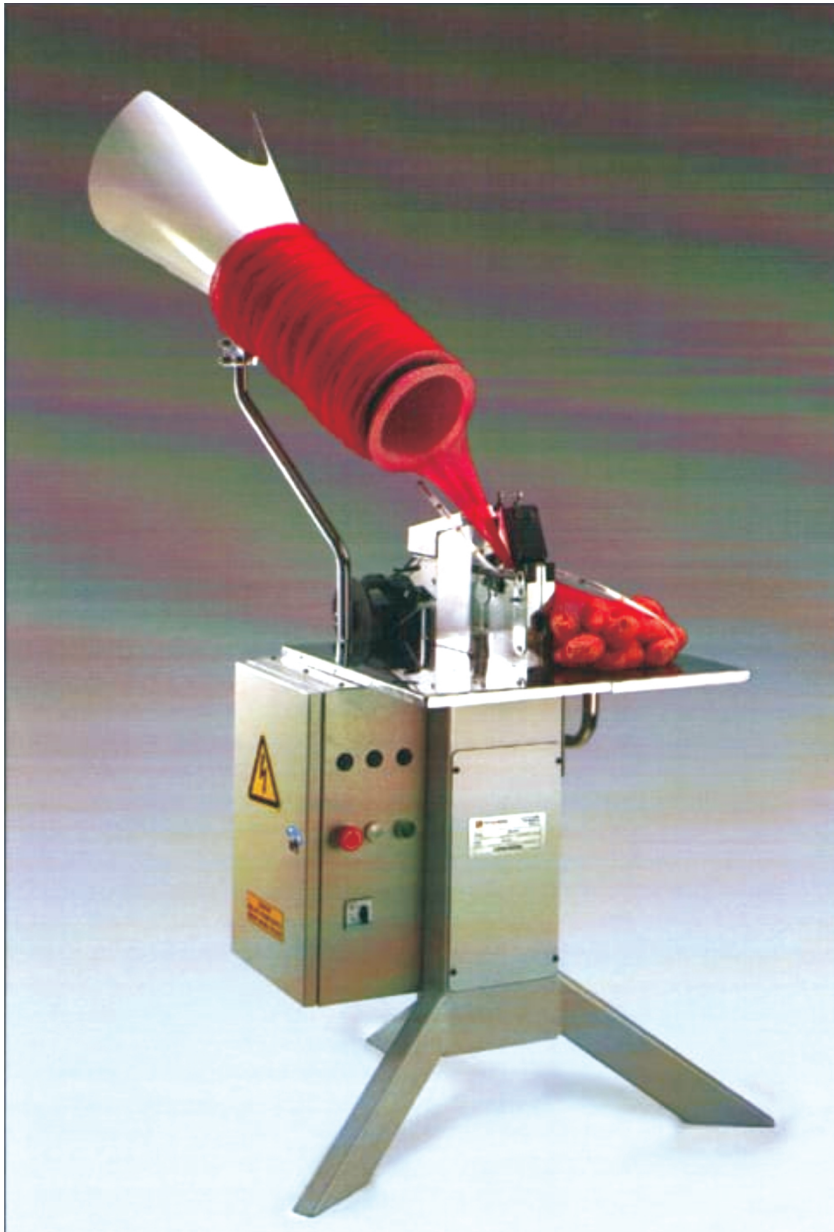
SEMIAUTOMATIC CLIPPING MACHINE mod. CHEQ-120:

Semi automatic netting machine with automatic sealing upon manual placement of the net in the clipping device. The machine includes 2 net holder tubes (tube diam, 160mm. - one onto the machine and one spare) and fruit in-feed hopper. The net-pack is clipped at the two extremities by using clip-wire.
OPTIONAL: labeler for wine glass labels. Tubes diam. 80/90/100 for Garlic version.



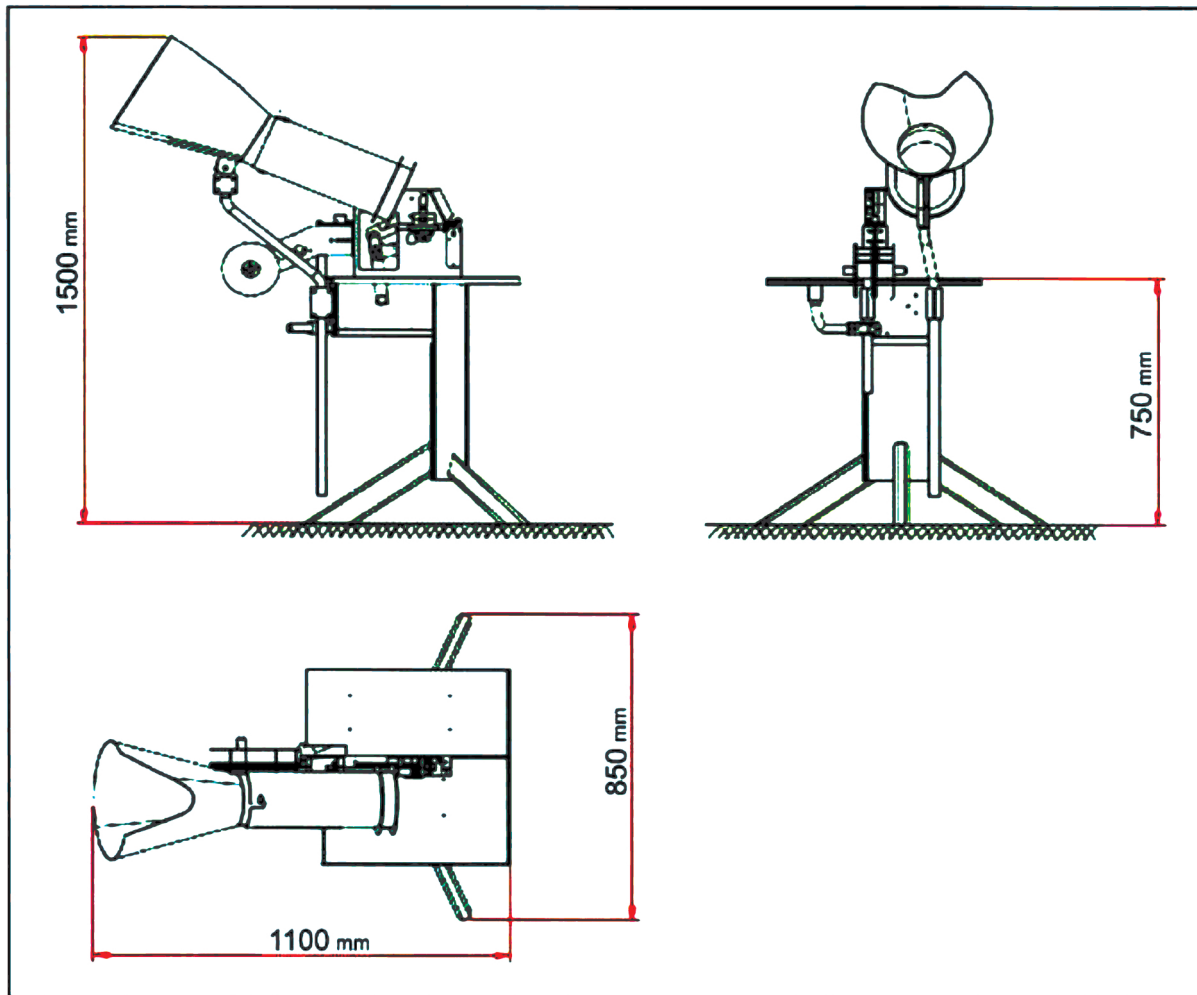
CLIPSATRICE SEMIAUTOMATICA mod. CHEQ-120:

Retinatrice semiautomatica con chiusura automatica al collocamento manuale della rete nell'apposito vano di chiusura. Provvista di 2 tubi portarete (DIAM. 160mm.) e tramoggia di carico frutta. Utilizza reggetta avvolta in rocchetti.
OPTIONAL: labeler for wine glass labels. Tubes diam. 80/90/100 for Garlic version.



TECHNICAL - DATA: CHEQ-120

PRODUZIONE PESATRICE : DEBIT PESEUSE : OUTPUT WEIGHING : LEISTUNG WIEGEMASCHINE : PRODUCCION PESADORA :	30 pack/min
POTENZA ELETTRICA INSTALLATA PUISSANCE ELECTRIQUE INSTALLEE INSTALLED POWER INSTALLIERTE ELEKTRISCHE LEISTUNG POTENCIA ELECTRICA INSTALADA	0.5 KW 50 HZ 400V 3PH



YOUR EQUIPMENT SOLUTIONS

212 1st Stage, Sompura Industrial Area,
Nidavanda, Village, Thyamagondalu, Nelmangala Taluk
Bangalore-562132. Mob- +91 7829822088
E-mail: info@y-e-s.in Website : www.y-e-s.in

